

Post System

EMPIRE STATE POST - 1.0 kN TOP MOUNT

- | The intuitive installation avoids frustration and makes you even faster
- | Including the KRONOS glass clamp
- | Completely pre-assembled post system
- | Modern design
- | Available with \varnothing 42.4
- | Available in stainless steel V4A

EMPIRE STATE POST

1.0 kN top mount

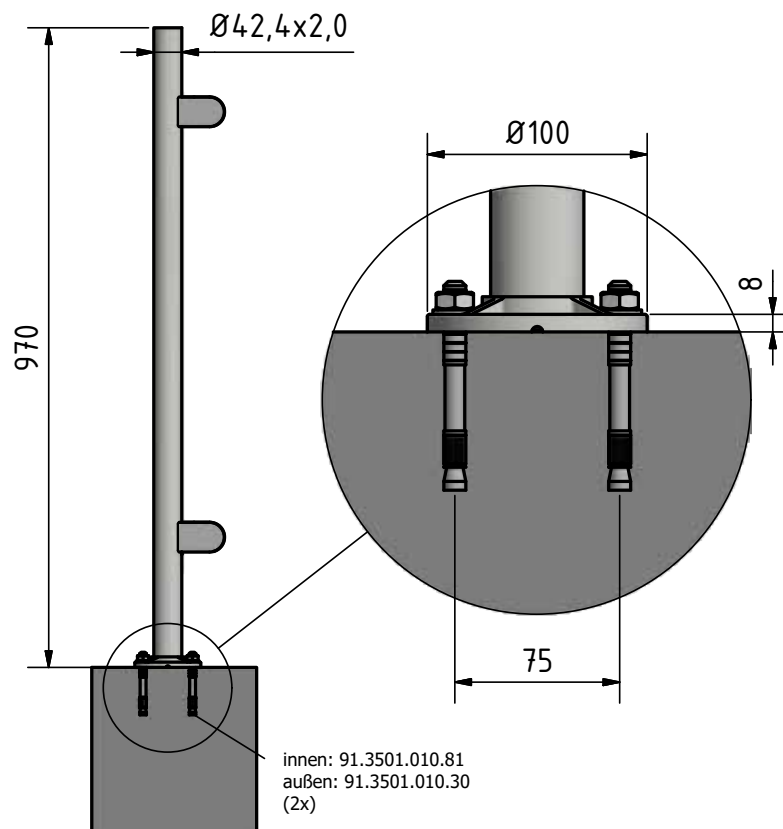
ONLEVEL - NEXT LEVEL UP

Another innovative solution from **ONLEVEL**. The first completely pre-assembled post system for all-glass balustrade systems made of stainless steel! Quick and easy to mount for sure.

ONLEVEL makes things easy. All posts are prepared for installation. That is, the threads for fixing the clamps are already pre-drilled. In case of the "Extended Version", even the adjustable **KRONOS** clamps are pre-assembled. You easily save up to 40 minutes of installation time when compared to all other standard products. Keep in mind the material thickness of 2 mm. It is absolutely essential to guarantee your safety.

Essential Features

- | Modern design
- | Available with $\varnothing 42.4$
- | Available in stainless steel V4A



OOHOHH NEW YORK - GREW UP IN A TOWN THAT IS FAMOUS...



The intuitive installation
avoids frustration and
makes you even faster.

Including the **KRONOS** glass
clamp

Completely pre-assembled
post system



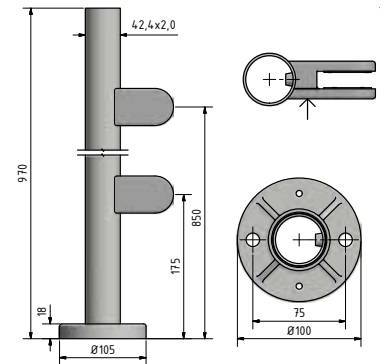
EMPIRE STATE POST + KRONOS

Empire State Post, pre-assembled with KRONOS left



- | Ø 42.4 x 2 mm
- | Height: 970 mm
- | Includes cover caps
- | Includes 2 pre-assembled glass clamps
- | Sales unit: 1 piece

Model 0610	V2A (inside)	V4A (outside)
Diameter	Art. no.	Art. no.
42.4	12.0610.422.21	12.0610.422.31

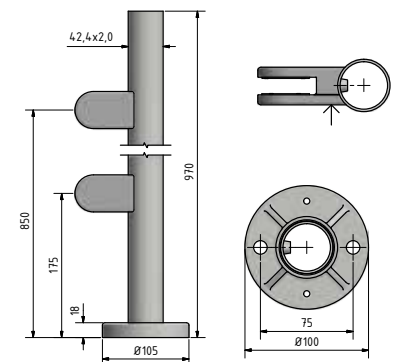


Empire State Post, pre-assembled with KRONOS right



- | Ø 42.4 x 2 mm
- | Height: 970 mm
- | Includes cover caps
- | Includes 2 pre-assembled glass clamps
- | Sales unit: 1 piece

Model 0611	V2A (inside)	V4A (outside)
Diameter	Art. no.	Art. no.
42.4	12.0611.422.21	12.0611.422.31

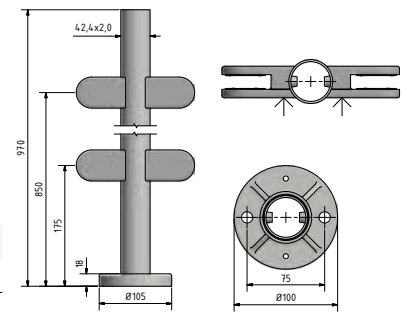


Central Empire State Post, pre-assembled with KRONOS



- | Ø 42.4 x 2 mm
- | Height: 970 mm
- | Includes cover caps
- | Includes 4 pre-assembled glass clamps
- | Sales unit: 1 piece

Model 0612	V2A (inside)	V4A (outside)
Diameter	Art. no.	Art. no.
42.4	12.0612.422.21	12.0612.422.31

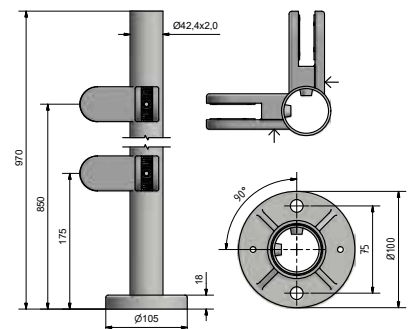


Empire State Corner Post, pre-assembled with KRONOS inside



- | Ø 42.4 x 2 mm
- | Height: 970 mm
- | Includes cover caps
- | Includes 4 pre-assembled glass clamps
- | Sales unit: 1 piece

Model 0613	V2A (inside)	V4A (outside)
Diameter	Art. no.	Art. no.
42.4	12.0613.422.21	12.0613.422.31



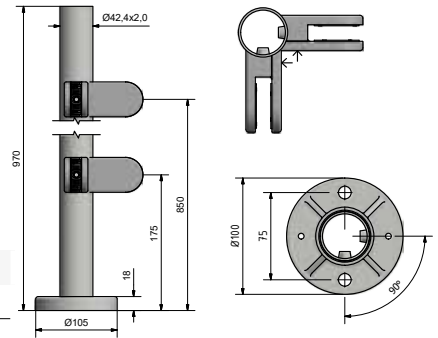
EMPIRE STATE POST + KRONOS

Empire State Corner Post, pre-assembled with KRONOS outside

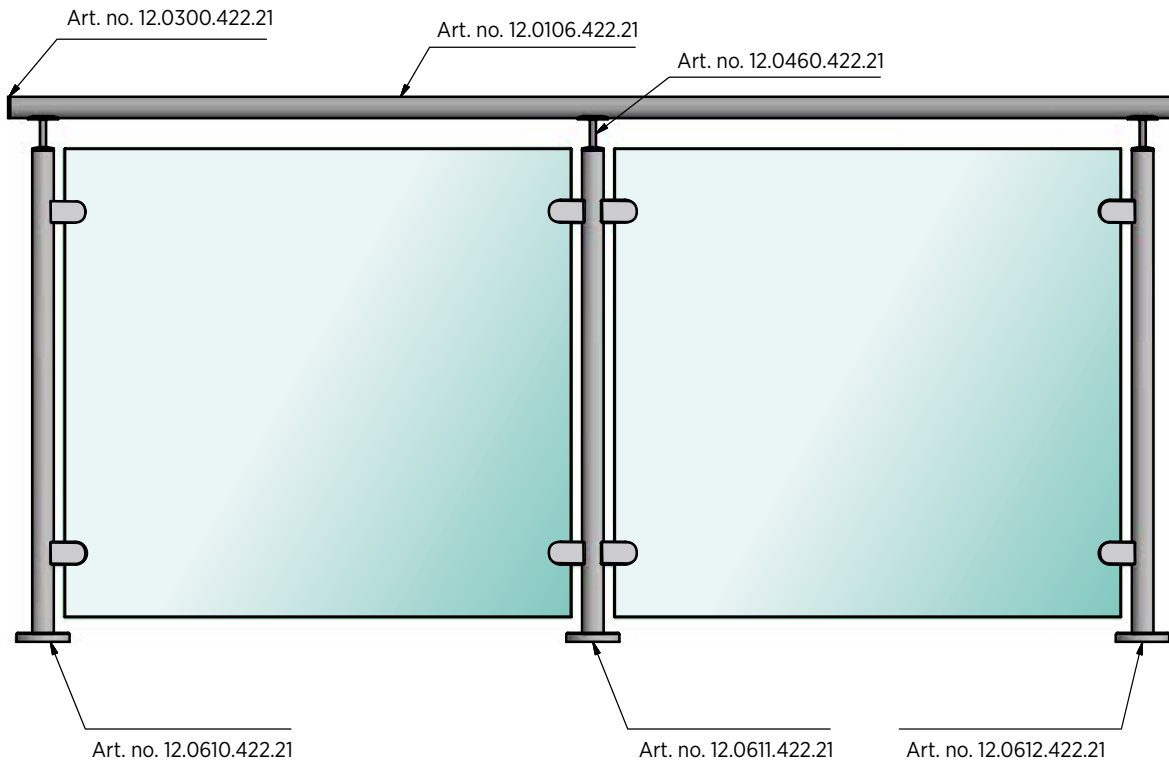


- | Ø 42.4 x 2 mm
- | Height: 970 mm
- | Includes cover caps
- | Includes 4 pre-assembled glass clamps
- | Sales unit: 1 piece

Model 0614	V2A (inside)	V4A (outside)
Diameter	Art. no.	Art. no.
42.4	12.0614.422.21	12.0614.422.31



Empire State Post + Kronos Overview



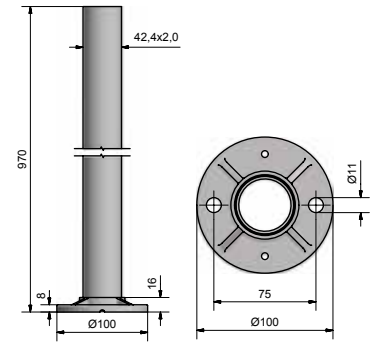
EMPIRE STATE POST

Empire State Post



| Ø 42.4 x 2 mm
| Height: 970 mm
| Sales unit: 1 piece

Model 0600	V2A (inside)	V4A (outside)
Diameter	Art. no.	Art. no.
42.4	12.0600.422.21	12.0600.422.31

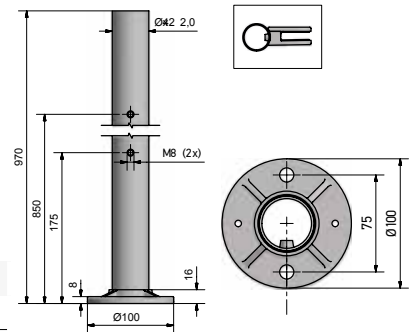


Empire State End Post



| Ø 42.4 x 2 mm
| Height: 970 mm
| Sales unit: 1 piece

Model 0601	V2A (inside)	V4A (outside)
Diameter	Art. no.	Art. no.
42.4	12.0601.422.21	12.0601.422.31

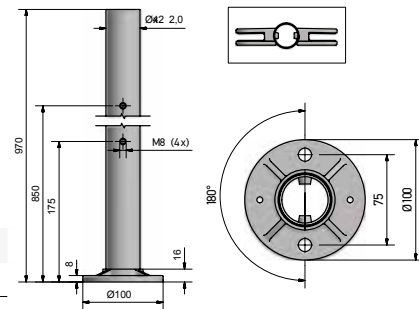


Central Empire State End Post



| Ø 42.4 x 2 mm
| Height: 970 mm
| Sales unit: 1 piece

Model 0602	V2A (inside)	V4A (outside)
Diameter	Art. no.	Art. no.
42.4	12.0602.422.21	12.0602.422.31

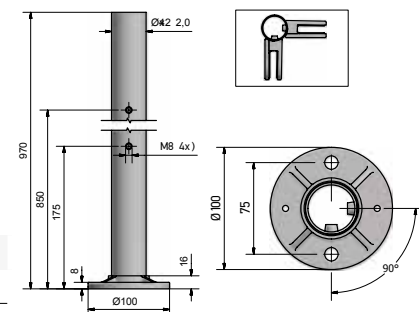


Empire State Corner Post



| Ø 42.4 x 2 mm
| Height: 970 mm
| Sales unit: 1 piece

Model 0603	V2A (inside)	V4A (outside)
Diameter	Art. no.	Art. no.
42.4	12.0603.422.21	12.0603.422.31



EMPIRE STATE POST | ACCESSORIES

Empire State Post Cover Cap



- | Outer diameter: Ø 100 mm
- | Drilling Hole: Ø 42.4 mm
- | Sales unit: 2 piece

Model 0500	V2A (inside)	V4A (outside)
Diameter	Art. no.	Art. no.
100	12.0500.420.21	12.0500.420.31

Empire State Post Corner Connector 90°



- | Ø 42.4 x 2 mm
- | Sales unit: 2 piece

Model 0211	V2A (inside)	V4A (outside)
Diameter	Art. no.	Art. no.
42.4	12.0211.422.21	12.0211.422.31

Empire State Post Corner Connector, adjustable



- | Ø 42.4 x 2 mm
- | Sales unit: 2 piece

Model 0215	V2A (inside)	V4A (outside)
Diameter	Art. no.	Art. no.
42.4	12.0215.422.21	12.0215.422.31

Empire State Post Wall Connector



- | Ø 42.4 x 2 mm
- | With 3 drill holes
- | Sales unit: 2 piece

Model 0220	V2A (inside)	V4A (outside)
Diameter	Art. no.	Art. no.
42.4	12.0220.420.21	12.0220.420.31

EMPIRE STATE POST | ACCESSORIES

Empire State Post Wall Connector



| Ø 42.4 x 2 mm
| Sales unit: 2 piece

Model 0221	V2A (inside)	V4A (outside)
Diameter	Art. no.	Art. no.
42.4	12.0221.420.21	12.0221.420.31

Empire State Post Handrail Support



| Ø 42.4 x 2 mm
| Sales unit: 2 piece

Model 0460	V2A (inside)	V4A (outside)
Diameter	Art. no.	Art. no.
42.4	12.0460.422.21	12.0460.422.31

Empire State Handrail Support, adjustable



| Ø 42.4 x 2 mm
| Sales unit: 2 piece

Model 0465	V2A (inside)	V4A (outside)
Diameter	Art. no.	Art. no.
42.4	12.0465.422.21	12.0465.422.31

Fischer fixing anchor for concrete FAZ II 10/10



| Finish interior application: zinc-plated steel (inside)
| Finish exterior application: V4A (exterior)
| Required number: 2 pieces
| M10
| Sales unit: 50 pieces

Model 3501	zinc-plated steel (inside)	V4A (exterior)
	Art. no.	Art. no.
	91.3501.010.81	91.3501.010.30

ROCKET | FLOOR GLASS CLAMP

Floor glass clamp



| Ø 48.3 mm
| Height: 185 mm
| Sales unit: 1 piece

Model 2448	V2A (inside)	V4A (outside)
	Art. no.	Art. no.
	12.2448.185.21	12.2448.185.31

Rubber for Rocket floor glass clamp



| Sales unit: 1 piece

Model 5000	Plastic
for glass thickness	Art. no.
12 mm	90.5000.012.00
12.76 mm	90.5000.012.76
13.52 mm	90.5000.013.52
15 mm	90.5000.015.00
16.76 mm	90.5000.016.76
17.52 mm	90.5000.017.52

Cover cap for Rocket floor glass clamp



| Ø 100 mm
| Sales unit: 2 pieces

Model 0500	V2A (inside)	V4A (outside)
	Art. no.	Art. no.
	12.0500.480.21	12.0500.480.31



ONLEVEL

8, Alexandria Court
Ashton Commerce Park
Ashton-under-Lyne
Lancashire OL7 0QN
United Kingdom

T +44 0161 804 9500
F +44 0161 804 9505

info@onlevel.com
www.onlevel.com