

Model 6020 | 6021

## 1.5 KN TOP MOUNT AND SIDE MOUNT

- | Reduced costs – larger drilling distances
- | Increased stability
- | Suitable for use with bolt anchors
- | High precision fit due to connecting pins
- | Suitable for all surface types and for glass thicknesses ranging from 12-21.52 mm
- | Suitable for use with Top Cover

# TL-6020

1.5 kN Top Mount

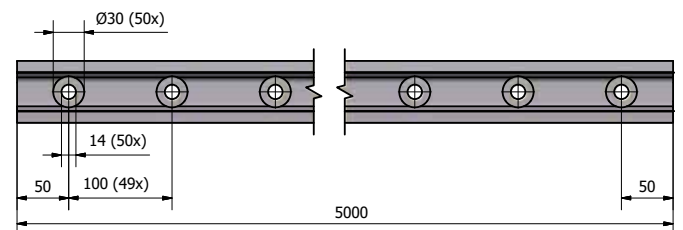
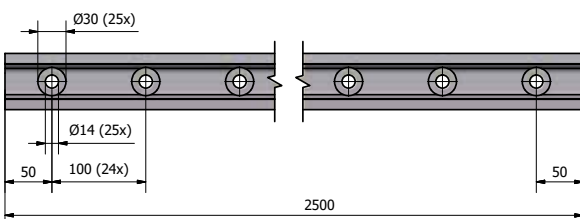
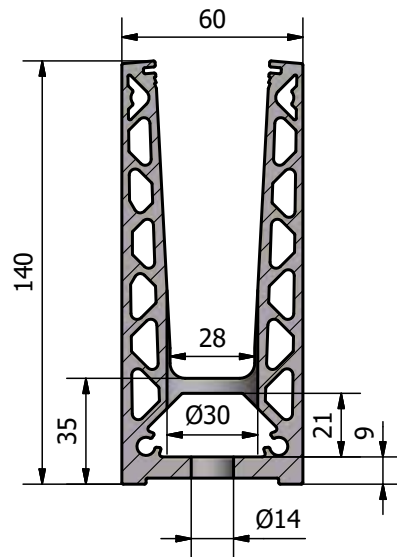
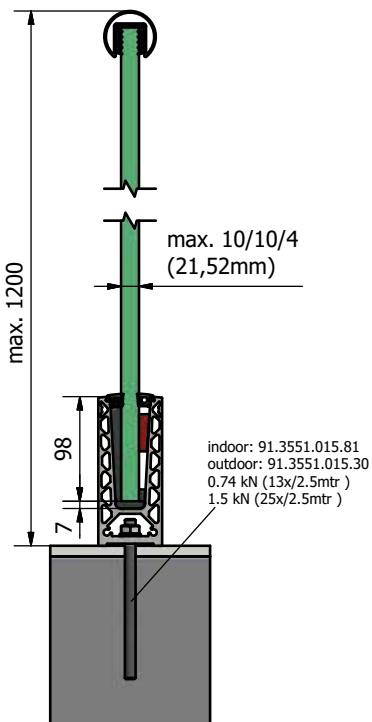
## Essential Features

- | Slender, attractive design and low maintenance
- | OnLevel Flex-Fit glass assembly system
- | Drainage holes
- | Use Top cover 3.0 kN
- | For glass thickness 12 - 21,52 mm
- | For applications in the private area of 0.74 kN the mounting distance is 20cm



**bimobject**<sup>®</sup>

**TESTED**  
according to  
**BS6180**



For further details, please refer to the type-tested static analyses.

# TL-6020 | 1.5 KN TOP MOUNT

## Glass Profile



| Height: 120 mm  
| Width: 60 mm  
| PU: 1 Item

Model 6010	Raw	Aluminium	Stainless steel	Coloured
Length	Item no.	Item no.	Item no.	Item no.
2500	-	10.6020.002.11	-	-
5000	10.6020.005.10	10.6020.005.11	10.6020.005.12	10.6020.005.13

## Inside Corner/ Outside Corner 90°



| Inside length 140 mm  
| Outside length 200 mm  
| PU: 1 Item

Model 6010	Raw	Aluminium	Stainless steel	Coloured
	Item no.	Item no.	Item no.	Item no.
	10.6020.390.10	10.6020.390.11	10.6020.390.12	10.6020.390.13

## Endcap left/right



| suitable for left and right  
| PU: 1 Item

Model 6010	Raw	Aluminium	Stainless steel	Coloured
Application	Item no.	Item no.	Item no.	Item no.
left/right	10.6020.490.10	10.6020.490.11	10.6020.490.12	10.6020.490.13

## Spacer



| PU: 13 Item

Model 6020	Raw	Aluminium	Stainless steel	Coloured
	Item no.	Item no.	Item no.	Item no.
	10.6020.500.10	10.6020.500.11	10.6020.500.12	10.6020.500.13

# TL-6020 | 1.5 KN TOP MOUNT

## Fischer Fixation anchor FIS AM M10x150



- | Surface inside application: zink-plated
- | Surface outside application: AISI 316
- | Required number per 2500 mm: 13x 0,74kN / 25x 1.5kN
- | PU: 10 Item

Model 3511	Zink-plated	Model 3511	AISI 316
	Item no.		Item no.
	91.3511.015.81		91.3511.250.30

## Flex-Fit 1.0 kN



- | For fine adjustment of glass panels
- | For Glass thickness 12 - 21,52 mm
- | Adjusts the position of each glass panel up to 34 mm min relation to the perpendicular

Length		2500 mm	5000 mm	25 mtr
Glass thickness	Wedge color	Item no.	Item no.	Item no.
12 mm	black	90.0502.112.00	90.0505.112.00	90.0525.112.00
6/6/2 (12,76 mm)	red	90.0502.113.00	90.0505.113.00	90.0525.113.00
6/6/4 (13,52 mm)	grey	90.0502.114.00	90.0505.114.00	90.0525.114.00
15 mm	yellow	90.0502.115.00	90.0505.115.00	90.0525.115.00
8/8/2 (16,76 mm)	brown	90.0502.117.00	90.0505.117.00	90.0525.117.00
8/8/4 (17,52 mm)	green	90.0502.118.00	90.0505.118.00	90.0525.118.00
19 mm	blue	90.0502.119.00	90.0505.119.00	90.0525.119.00
10/10/2 (20,76 mm)	red	90.0502.121.00	90.0505.121.00	90.0525.121.00
10/10/4 (21,52 mm)	green	90.0502.122.00	90.0505.122.00	90.0525.122.00

# TL-6021

1.5 kN Side Mount

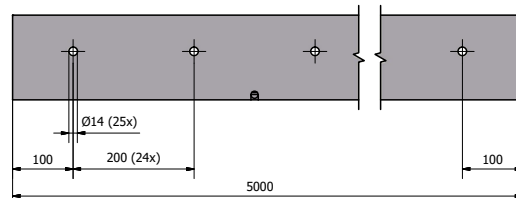
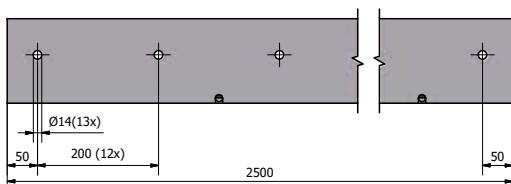
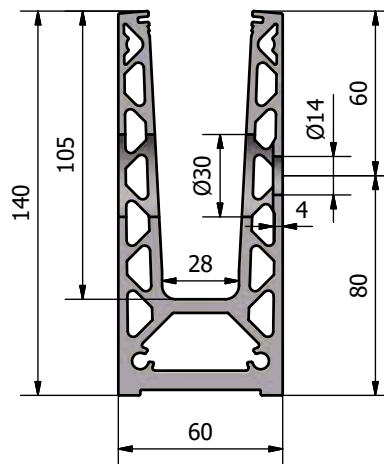
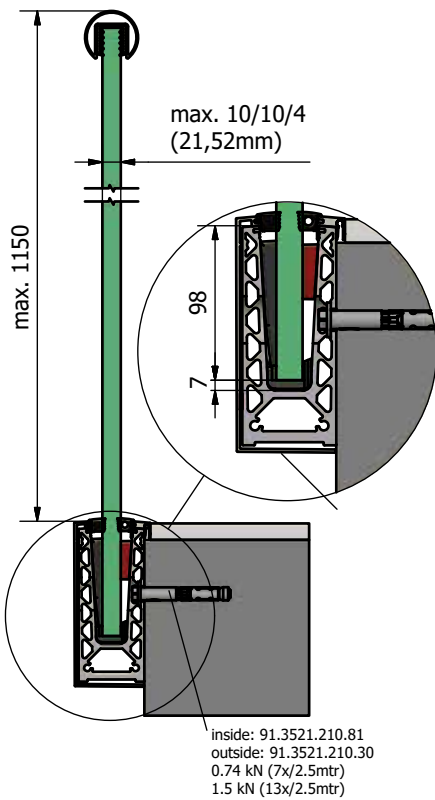
## Essential Features

- | Slender, attractive design and low maintenance
- | OnLevel Flex-Fit glass assembly system
- | Drainage holes
- | Top cover (optional)
- | Full cover cap (optional)
- | For glass thickness 12 - 21,52 mm
- | For applications in the private area of 0.74 kN the mounting distance is 40 cm



**bimobject**<sup>®</sup>

**TESTED**  
according to  
**BS6180**



For further details, please refer to the type-tested static analyses.

# TL-6021 | 1.5 KN SIDE MOUNT

## Glass Profile



| Height: 140 mm  
| Width: 60 mm  
| PU: 1 Item

Model 6021	Raw	Aluminium	Stainless steel	Coloured
Length	Item no.	Item no.	Item no.	Item no.
2500	-	10.6021.002.11	-	-
5000	10.6021.005.10	10.6021.005.11	10.6021.005.12	10.6021.005.13

## Inside Corner 90°



| Inside length 140 mm  
| Outside length 200 mm  
| PU: 1 Item

Model 6021	Raw	Aluminium	Stainless steel	Coloured
	Item no.	Item no.	Item no.	Item no.
	10.6021.300.10	10.6021.300.11	10.6021.300.12	10.6021.300.13

## Outside Corner 90°



| Inside length 140 mm  
| Outside length 200 mm  
| PU: 1 Item

Model 6021	Raw	Aluminium	Stainless steel	Coloured
	Item no.	Item no.	Item no.	Item no.
	10.6021.350.10	10.6021.350.11	10.6021.350.12	10.6021.350.13

## Endcap left



| suitable for left  
| PU: 1 Item

Model 6021	Raw	Aluminium	Stainless steel	Coloured
Application	Item no.	Item no.	Item no.	Item no.
links	10.6021.400.10	10.6021.400.11	10.6021.400.12	10.6021.400.13

# TL-6021 | 1.5 KN SIDE MOUNT

## Endcap left with snapframe



| suitable for left  
| PU: 1 Item

Model 6021	Raw	Aluminium	Stainless steel	Coloured
Application	Item no.	Item no.	Item no.	Item no.
links	10.6021.410.10	10.6021.410.11	10.6021.410.12	10.6021.410.13

## Endcap right



| suitable for right  
| PU: 1 Item

Model 6021	Raw	Aluminium	Stainless steel	Coloured
Application	Item no.	Item no.	Item no.	Item no.
right	10.6021.450.10	10.6021.450.11	10.6021.450.12	10.6021.450.13

## Endcap right with snapframe



| suitable for right  
| PU: 1 Item

Model 6021	Raw	Aluminium	Stainless steel	Coloured
Application	Item no.	Item no.	Item no.	Item no.
right	10.6021.460.10	10.6021.460.11	10.6021.460.12	10.6021.460.13

## Snapframe



| With mounting strip  
| Endcaps must be ordered for the use of a snapframe  
| PU: 1 Item

Model 6021	Raw	Aluminium	Stainless steel	Coloured
Length	Item no.	Item no.	Item no.	Item no.
5000	10.6021.205.10	10.6021.205.11	10.6021.205.12	10.6021.205.13

# TL-6021 | 1.5 KN SIDE MOUNT

## Fischer Fixation anchor FH II 12/10



- | Surface inside application: zink-plated
- | Surface outside application: AISI 316
- | Required number per 2500 mm: 7x 0,74kN / 13x 1.5kN
- | PU: 50 Item

Model 3521	Zink-plated	Model 3521	AISI 316
	Item no.		Item no.
	91.3521.210.81		91.3521.210.30

## Flex-Fit 1.0 kN



- | For fine adjustment of glass panels
- | For Glass thickness 12 - 21,52 mm
- | Adjusts the position of each glass panel up to 34 mm min relation to the perpendicular

Length		2500 mm	5000 mm	25 mtr
Glass thickness	Wedge color	Item no.	Item no.	Item no.
12 mm	black	90.0502.112.00	90.0505.112.00	90.0525.112.00
6/6/2 (12,76 mm)	red	90.0502.113.00	90.0505.113.00	90.0525.113.00
6/6/4 (13,52 mm)	grey	90.0502.114.00	90.0505.114.00	90.0525.114.00
15 mm	yellow	90.0502.115.00	90.0505.115.00	90.0525.115.00
8/8/2 (16,76 mm)	brown	90.0502.117.00	90.0505.117.00	90.0525.117.00
8/8/4 (17,52 mm)	green	90.0502.118.00	90.0505.118.00	90.0525.118.00
19 mm	blue	90.0502.119.00	90.0505.119.00	90.0525.119.00
10/10/2 (20,76 mm)	red	90.0502.121.00	90.0505.121.00	90.0525.121.00
10/10/4 (21,52 mm)	green	90.0502.122.00	90.0505.122.00	90.0525.122.00

# ONLEVEL

### OnLevel Ltd

8, Alexandria Court  
Ashton Commerce Park  
Ashton-under-Lyne  
Lancashire OL7 0QN  
United Kingdom

sales@onlevel-uk.com  
www.onlevel.com